

DIN TAPERS

DIN TAPER INTERCHANGABILITY

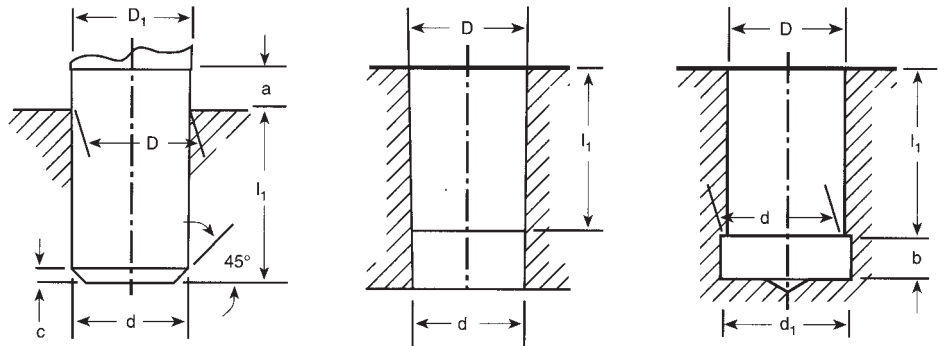
DIN tapered sections are identical with the following Morse tapers:

No. 1, for tapers B10 and B12

No. 2, for tapers B16 and B18

No. 3, for tapers B22 and B24

The length of each of these tapers is, of course, distinctly less than the overall length of the corresponding Morse taper. Each taper may be regarded as corresponding approximately either to that part of the Morse taper nearest the small end (for example: B10), or to the part nearest the large end (for example: B12).



Ref. No.	D		D ₁ *		d*		d ₁		l ₁		a(max.)		b		c		Morse No.	Taper on Diameter	
	in.	mm	in.	mm	in.	mm	in.	mm	in.	mm	in.	mm	in.	mm	in.	mm		in.	mm
B10	0.397 4	10.094	0.403 6	10.3	0.368 9	9.4	25/64	9.8	0.571	14.5	0.125	3.5	0.125	3.5	0.047	1.0	1	0.049 88	1.267
B12	0.475 0	12.065	0.481 2	12.2	0.487 7	11.1	29/64	11.5	0.728	18.5	0.125	3.5	0.125	3.5	0.047	1.0	1	0.049 88	1.267
B16	0.619 4	15.733	0.628 8	16.0	0.572 2	14.5	19/32	15.0	0.945	24.0	0.188	5.0	0.156	4	0.063	1.5	2	0.049 95	1.269
B18	0.700 0	17.780	0.709 4	18.0	0.637 1	16.2	21/32	16.8	1.260	32.0	0.188	5.0	0.156	4	0.063	1.5	2	0.049 95	1.269
B22	0.858 0	21.793	0.867 4	22.0	0.778 0	19.8	13/16	20.5	1.594	40.5	0.188	5.0	0.188	4.5	0.078	2.0	3	0.050 20	1.275
B24	0.938 0	23.825	0.947 4	24.1	0.838 2	21.3	7/8	22.0	1.988	50.5	0.188	5.0	0.188	4.5	0.078	2.0	3	0.050 20	1.275

NOTES:

• D₁ and d = calculated values given for information.

The effective values are obtained by applying the rate of taper and the basic dimension D to the actual values of a and l₁, respectively.